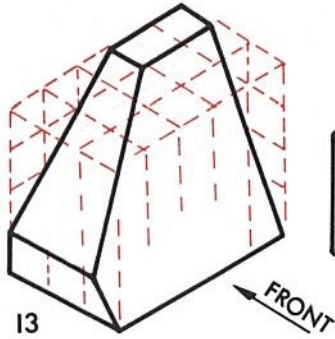
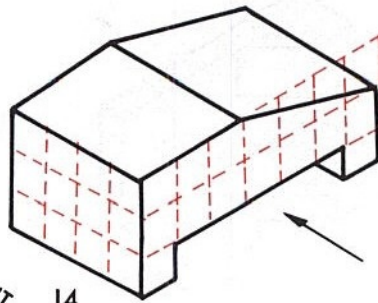




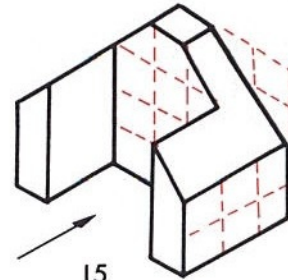
FREEHAND ORTHOGRAPHIC SKETCHING ASSIGNMENT



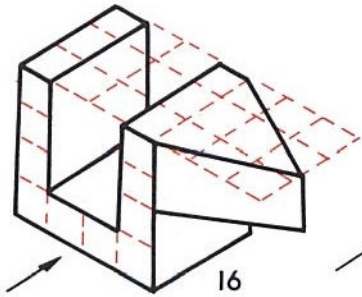
13



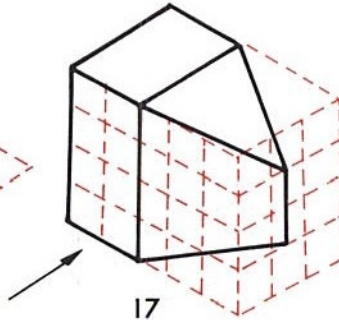
14



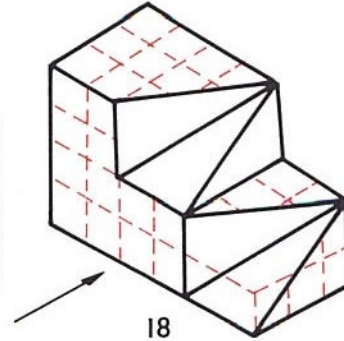
15



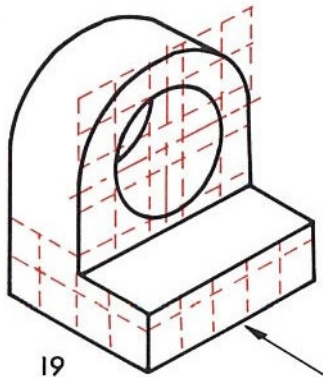
16



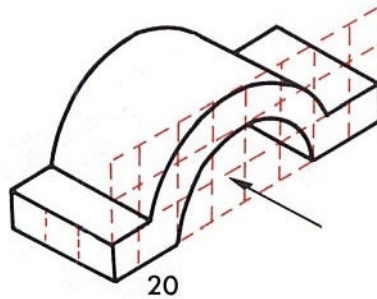
17



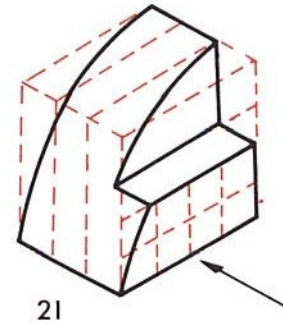
18



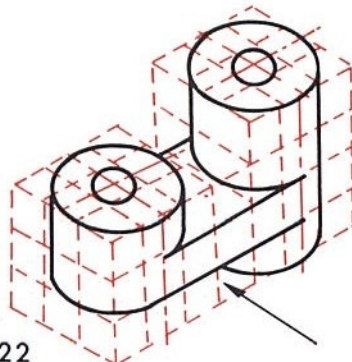
19



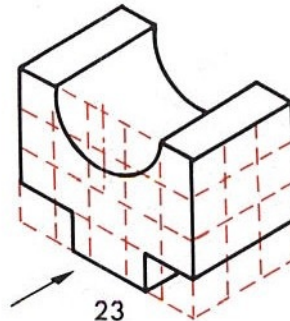
20



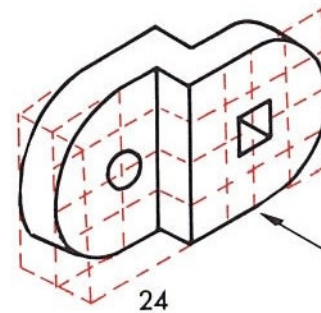
21



22



23



24